

# Volver, Breath of new *Light.*

At Terzani, we are fortunate to work with some of the brightest young stars in Italian design. For Volver, designer Diego Bassetti and architect Andrea Panzieri of Studio 14, protégés of Bruno Rainaldi, applied their multidisciplinary approach to create Terzani's first LED suspension light. This geometric design combines thin nickel chains with the latest in LED technology to create a light that is both elegant and modern. A breath of new light, Volver melds technology and art to achieve a new level of luxury. Available in a circular variation. Design Studio 14.

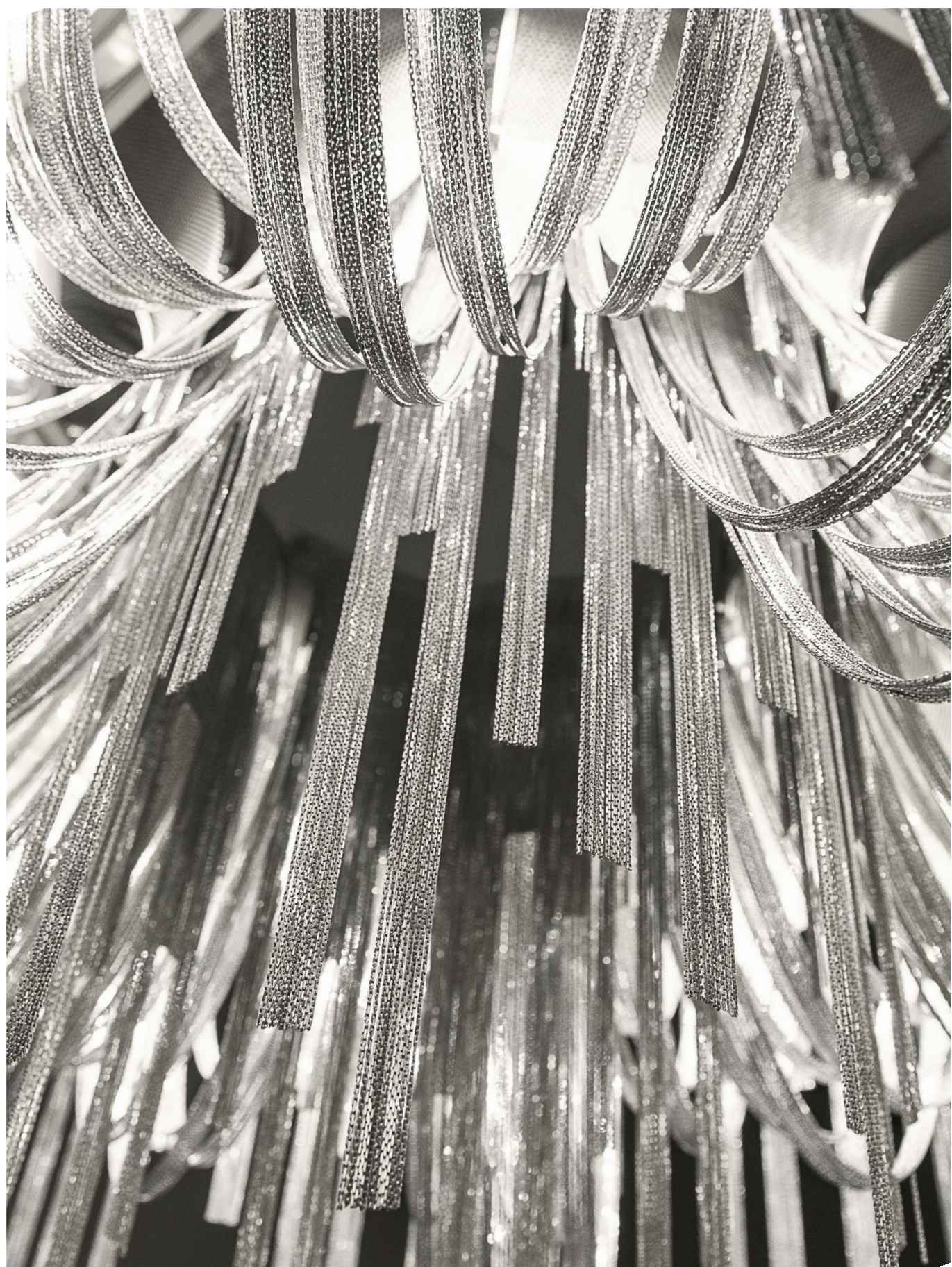


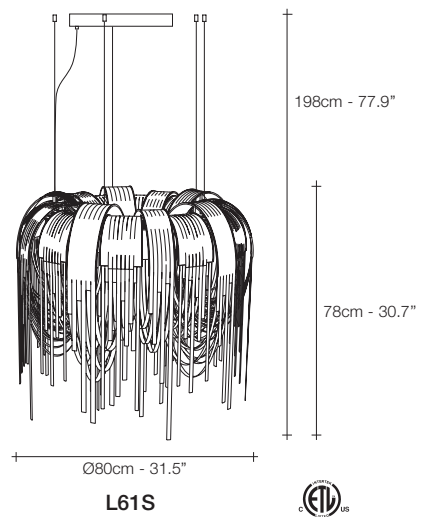
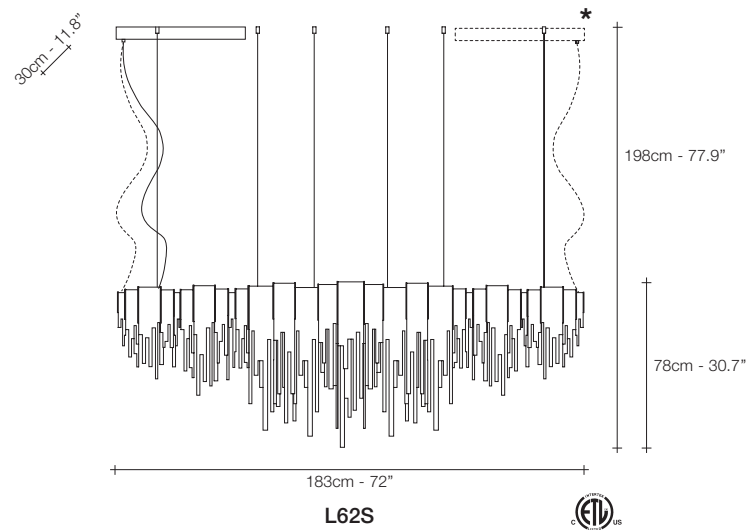
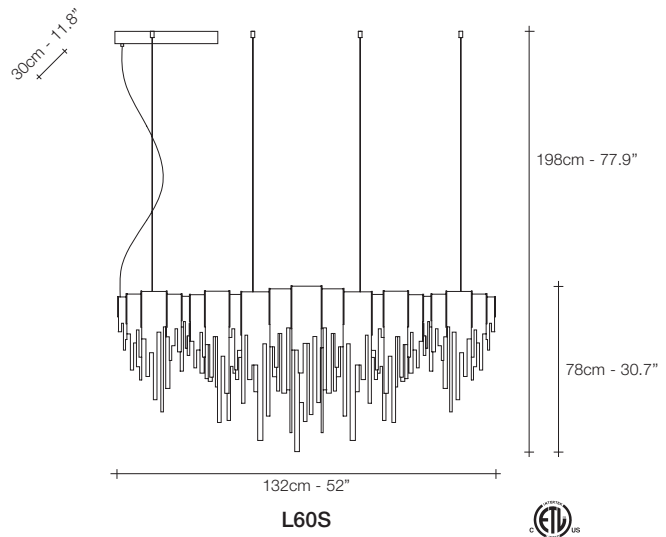
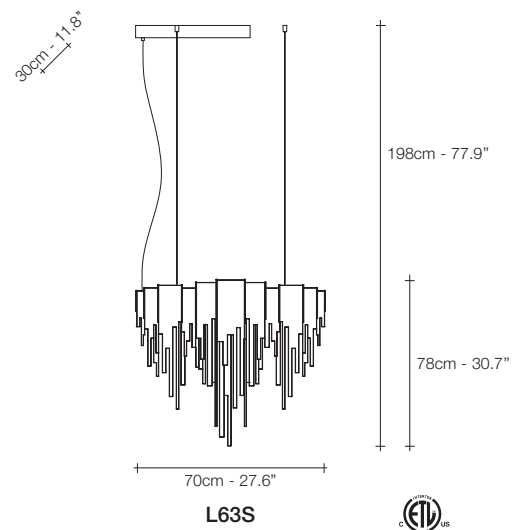












NICKEL



BLACK NICKEL



GOLD PLATED



BRONZE

	LIGHT SOURCE	L63S	L60S	L62S	L61S
230V	Replaceable LED module	7x4,5W	10x4,5W	20x4,5W	10x4,5W
	CRI 90   3000K 2700K	4632lm 4200lm	6617lm 6000lm	13234lm 12000lm	6617lm 6000lm
	Dimmable	0-10V PWM PUSH/DALI	0-10V PUSH/DALI	0-10V PUSH/DALI	0-10V PUSH/DALI
120V	Replaceable LED module	7x4.5W	10x4.5W	20x4.5W	10x4.5W
	CRI 90   3000K 2700K	4632lm 4200lm	6617lm 6000lm	13234lm 12000lm	6617lm 6000lm
	Dimmable	1-10V PWM	1-10V PWM	1-10V PWM	1-10V PWM

Volver can be manufactured to work with integrated LED 3000K or 2700K. Different dimming options on request.  
 \* Only 120V version has two canopies.

